

TINA RANGE

Automatic sliding door



This range of doors, which are easy to use and are designed for quick installation, provides the ideal solution for people who want to enjoy the comfort of an automatic opening very easily.

Their elegant design and slim casing enable them to be harmoniously integrated into any location.

- Compact drive unit (10 cm)
- Wall of casing mounted control consoles with LCD screen
- Simple and easy operation
- Easy installation

Discover the functionalities of TINA2. Its easy use is closely linked to the astonishing agility of NAVIBLU and VISIOBLU.



DOUBLE
SLIDING



SINGLE
SLIDING

TINA

High-performance automatic door,
practical and easy to install.

TINA is available as single or double sliding versions, with or without side screens.

Its performance and flexibility make it a leader in its class: its compact 4" drive unit moves heavy leaves of up to 2 x 264 lbs.

The hinged cover up or down, allows easy access to the operator or leaves.

Plug and play pre-assembled and pre-cabled sub units

All models connect to a common compact control box. Pre-assembled and pre-cabled sub-units make installation easier. The lock and motor are Plug and Play, their installation is automatically recognized.

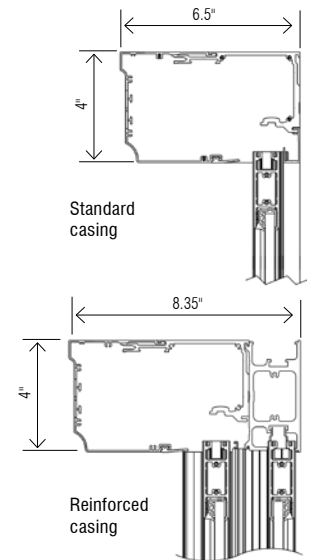
- Motor group
- Locking : bi-stable electric lock secure, positive safety lock
- Logic group : emergency battery, Inputs/Outputs modules, Emergency Exit Device (EN16005), function for disabled people that complies with the Accessibility regulation issued by the SNFPSSA (French National Association for Shutters, Sun Protection and Related Professions).
- Elastic Device : opening of the doors without using any external energy source (French regulation CO48)

Profiles

To better meet the requirements of each application, the TINA doors frames are available in different ranges of profiles: LUMINA All glass or with thin profiles, G25 or G38 profiles.

These profiles ranges are especially designed to comply with the safety standards in force (ex: finger trapped in the door). The standard frames are mounted with a neoprene seal (non-silicon) that enables the glass to be replaced quickly.

The G38 range is a robust solution which makes thick isolating glazing up to 26 mm possible. A key locking (European cylinder) can also be mounted with these profiles.



LUMINA
All Glass

LUMINA
Thin profiles

G25

G38





Controls and activation devices

To provide the optimal solution for your project, the product is offered with a large choice of controls and detection devices.

The ultra-high frequency radars provide completely discrete, reliable, high-performance detection.

The self-controlled infrared barriers detect any presence in the passage or any obstacle preventing the door leaves from closing. Permanently monitored, any anomaly in their functioning is automatically reported.

Inputs/Outputs modules offer even greater flexibility whilst enabling additional systems to be connected :

- Additionnal safety device in closing or in opening.
- Priority opening control, Forced Mode control.
- Access control device connection (Intercom, persons with reduced mobility...).
- Dry informations contacts about the door condition.

Naviblu and Visioblu, real control consoles

Naviblu and Visioblu are user-friendly and high-performance control interfaces. They allow easy driving, easy adjusting and easy communication with the door.



The LCD screen indicates the door's state in the most universal language that consists of pictograms, figures and international measuring units.

Naviblu, designed for wall mounted installation, allows controlling the door simply at one's fingertips thanks to its unique central browsing button.

Visioblu, designed to be installed on the casing, operates with the S remote control, offering all the comfort of remotely controlled operations.

The 2 systems are equipped with an IR receiver to learn up to 20 keys or S remote controls. Performing the same functionalities, Naviblu and Visioblu offers a great flexibility of use (choice of operating modes, settings of the door, historic consultation of defects and counters, automatic entries diagnosis, etc.).

A complete equipment provides all the comfort and safety of operation for the user.



Naviblu



Visioblu and S remote control



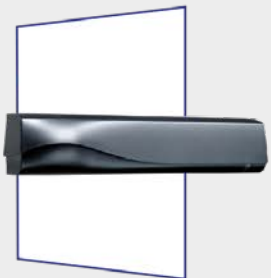
Console 4T



6-position key selector / 3.2"



6-position key selector / 1.6"



Hyper frequency detection and active Infrared security

TINA SPECIFICATIONS



MECHANICAL

Installation	Surface applied	
Structure	Aluminium	
Casing (H x D)	Standard	4" x 6.5"
	Reinforced	4" x 8.35"
Passage width min/max*	1-leaf	29.5" / 70.8"
	2 leaves	35.4" / 114"
Maximum passage height	122"	
Cheeks	Shock resistant black polystyrene	

PERFORMANCES

Leaf weight	1 x 308 lbs – 2 x 264 lbs	
	with IME (Emergency exit) 1 x 242.5 lbs – 2 x 198.4 lbs	
Opening speed	1 leaf: 4 - 31 in/s	2 leaves: 8 - 62 in/s
Closing speed	1 leaf: 4 - 19 in/s	2 leaves: 8 – 38 in/s
Hold open time	1 to 25 s	
Opening force	44 to 110 ft.lbs	
Closing force	44 to 110 ft.lbs	

ELECTRICAL ENVIRONMENT

Power supply	Main 50-60 Hz, 120 V ± 10 % with earth ground. Fuse 1.25 A
Average absorbed power	50W
Motor voltage / Emergency battery	30 Vcc / 12 Vcc
Relative humidity	10 % to 93 % without condensation
Operating temperature	-68°F / +140°F - Emergency exit door according EN16005 : +41°F / +104°F

STANDARDS

ANSI 156.10	Full energy power operators
UL 325	Power door operators.
NFPA 101	Life Safety Code
FCC part 15	Unintentional radiators

NAVIBLU FUNCTIONALITIES

Operating Mode selection	Door settings
Secure access using a code	- Door movement (speeds, torque, brakes)
Faults display	- Opening width (small, large, security)
Entries status diagnostics	- Time delay (radar units, openings, keys)
Historic consultation of defects, counters	- Locking, battery operation
IR receiver	- Inputs/Outputs parameterisation
Reset	- People With Reduced Mobility function, Standard(CO48, BS, ANSI, EN16005)

EQUIPMENT/CONTROLS/SAFETIES

Emergency battery	●	Naviblu or Visioblu or 4T console	○
Fail Safe locking	○	IR receiver	○
Manual inside safety unlocking	○	S (Simplified) infrared remote control	○
Positive Security locking	○	IR key	○
Anti-panic mechanical device (IME) conforming to CO48	○	6-position key selector (with Reset)	○
DAS card (for DAS locking)	○	Inputs Module (NO/NC)	○
Airlock management card	○	Outputs Module (4 switches)	○
Inside radar (NO, NC, Self-controlled) / Outside radar (NO, NC)	○	EN16005 Emergency exit module	○
Opening/closure safety (NO, NC, IR curtain x4)	○		
RAL lacquer finish, AS1, Anodised - colour (As standard)	●	Special lacquering, stainless steel (On request)	○

(*) Special projects, contact us

● Standard ○ Option



PORTALP USA, Inc - 16170 Lee Road Ste 100 - FORT MYERS, FL 33912
Tel (800) 474-3667 sales@portalp.com



Certified management system