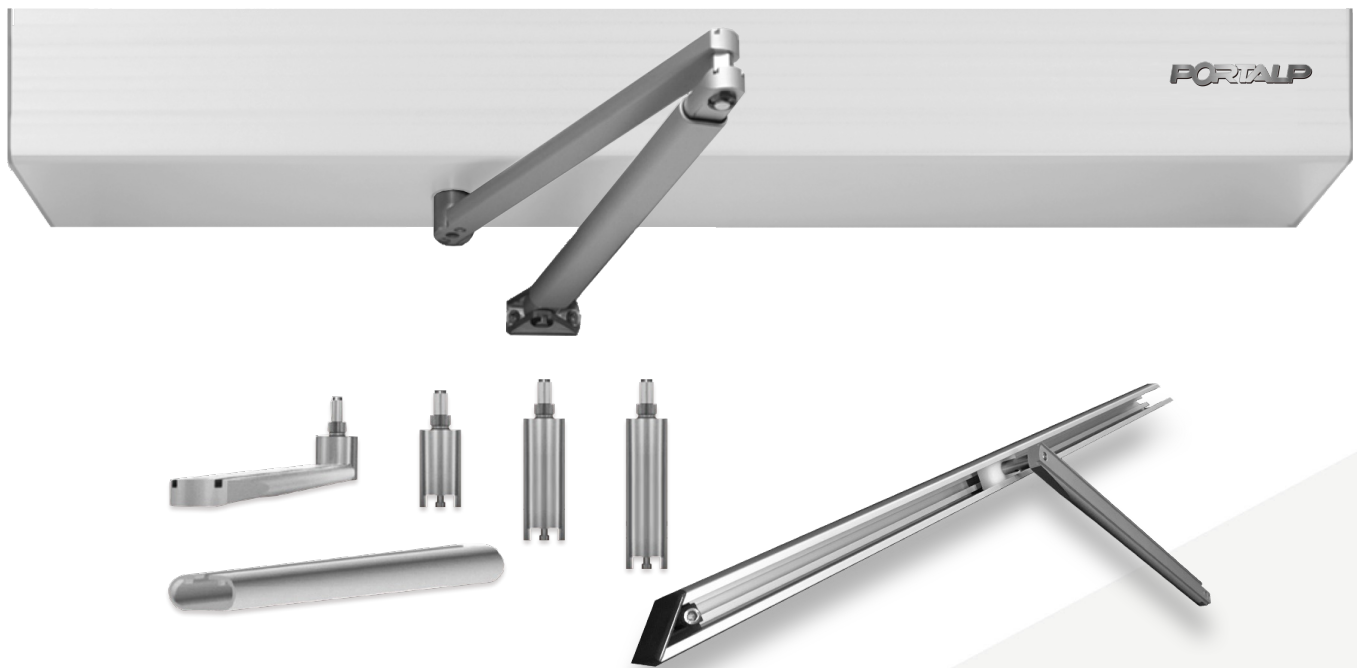


DOOR ARM ASSEMBLY

INSTALLATION GUIDE

Short form Installation guide for Push, Pull and Double Egress Arms.



IMPORTANT NOTES



READ THIS SECTION BEFORE PROCEEDING WITH INSTALLATION

PORTALP USA, Inc. recommends that all of its automated pedestrian door products be installed by a trained automatic door technician and that the resulting performance of the product be in full compliance with the most current version of the American National Standards Institute document A156.10 or A156.19 (whichever is applicable) as well as any applicable building codes and/or fire codes. PORTALP further recommends that a full inspection of the operating system be performed in accordance with the guidelines of the American Association of Automatic Door manufacturers (AAADM). This inspection must be performed by a certified AAADM trained inspector. PORTALP recommends this documented inspection be performed upon completion of the installation as well as, following the completion of every service call thereafter. If service is not performed within one year of the previous service action, a routine AAADM inspection should be performed and documented. Under no circumstance should the product operate for more than one year without an AAADM inspection. PORTALP does NOT recommend installation or service, on any of their automated pedestrian door products, by any individual who is not certified as an AAADM inspector.

Following the installation or service of any PORTALP automated pedestrian door product, if it is deemed unsafe, or is operating in an unsatisfactory manner according to national performance standards or recommended performance guidelines as defined by PORTALP, repairs should be made immediately. If an immediate repair cannot be made, the product should be disabled, and appropriate measures should be taken to secure the door in a safe position or to enable the door to safely be used manually. During this situation, every effort should be made to notify the owner (or person responsible) of the condition and to advise on corrective actions that must be taken to return the product to safe operation.

The data contained in this document are the property of PORTALP USA, Inc. and should not be changed without prior agreement of the manufacturer.



PORTALP, USA, Inc

11075 Parker Drive
Irwin, PA 15642

Tel: (412) 823-2537

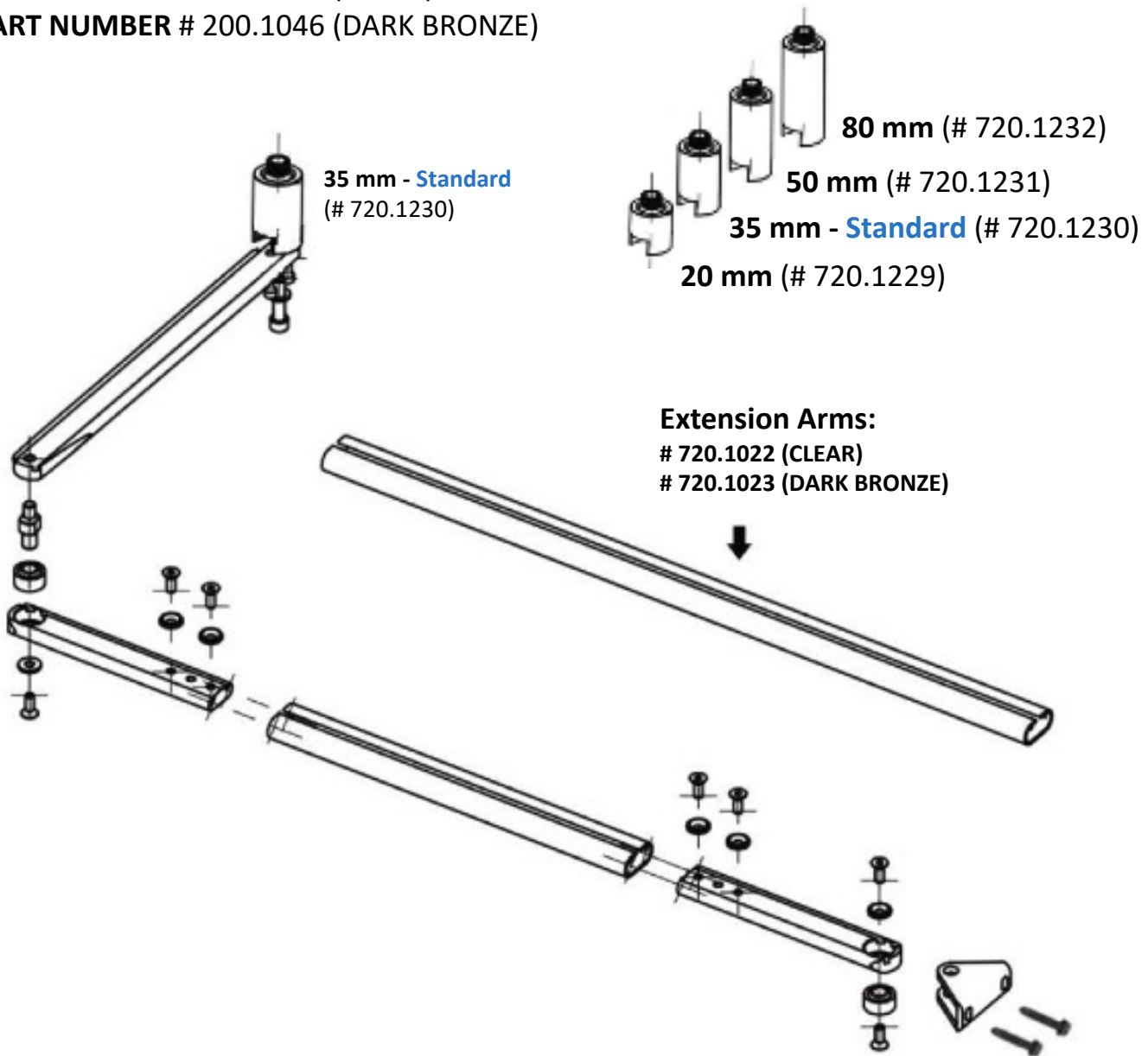
Email: sales@portalp.com

www.portalp.com



PUSH ARM

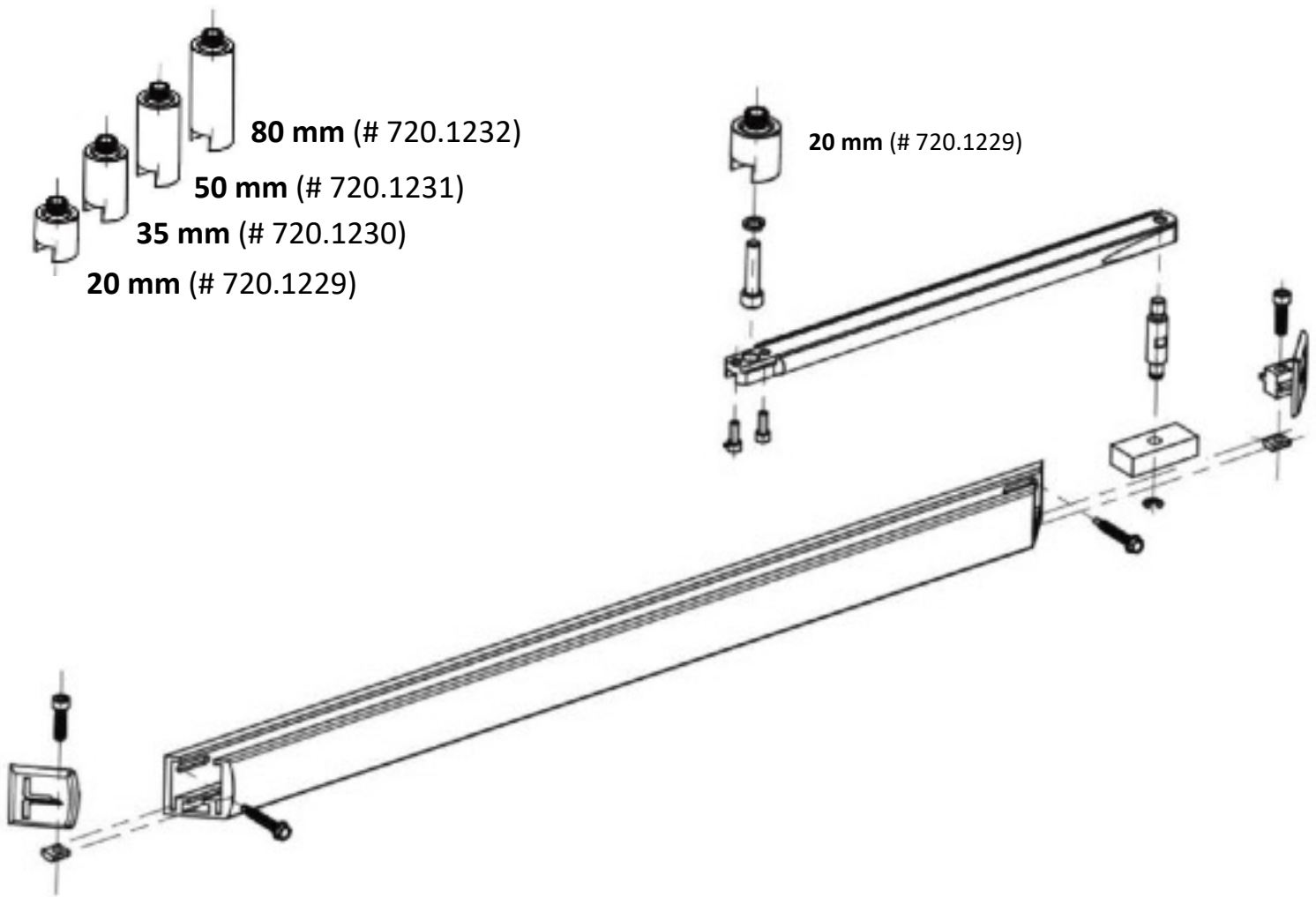
PART NUMBER # 200.1044 (CLEAR)
PART NUMBER # 200.1046 (DARK BRONZE)



PULL ARM



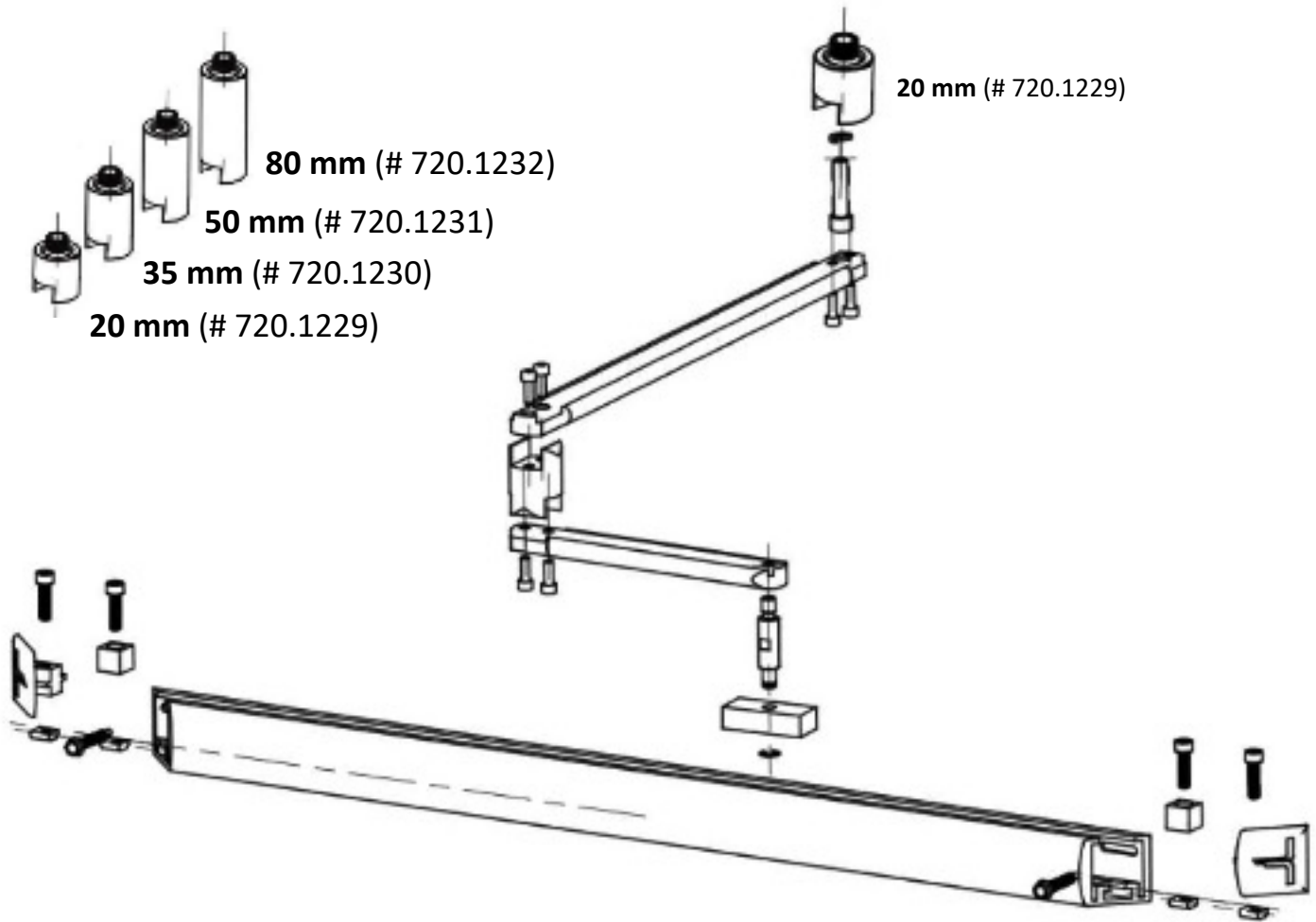
PART NUMBER # 200.1098 (CLEAR)
PART NUMBER # 200.1047 (DARK BRONZE)



DOUBLE EGRESS ARM



PART NUMBER # 200.1085 (CLEAR)





AUTOMATIC & MANUAL PEDESTRIAN DOORS MANUFACTURER

Automated Pedestrian Swinging Door Operator
SW10/19 FULL & LOW ENERGY - ISO3 - Single & Double



Automated Pedestrian Sliding Door Operator

SYNERGY - DIVA - DIVA RS - DIVA L - DIVA Eco - TINA - SL10 - HDS Clean - SL38 ICU - And more...



ZAP
a product of PORTALP USA, Inc



For Sectional Doors Only

COMMERCIAL SECTIONAL GARAGE DOOR OPERATORS

 **PROUDLY MANUFACTURED IN THE USA**



PORTALP USA, Inc
11075 Parker drive Irwin, PA 15642

Toll Free: 1-855-888-2537 Email: sales@portalp.com
Tel: 412-823-2537 www.portalp.com